

**Construction**

Self-priming swimming pool pumps with built-in strainer and motor insulated from pumped water.  
The pump is made with high quality plastic materials, corrosion and sand erosion resistant.  
With stainless steel diffuser.  
Base-plate kit.

**Applications**

- For water circulation in swimming pool filtration systems.
- For clean or slightly dirty water with solids in suspension.

**Operating conditions**

Water temperature up to 60 °C.  
Ambient temperature up to 40 °C.  
Maximum permissible pressure in the pump casing 2,5 bar.  
Continuous duty.

**Motor**

2-pole induction motor, 50 Hz (n = 2800 rpm).

**MPC:** three-phase 230/400 V ± 10%.

**MPCM:** single-phase 230 V ± 10%, with thermal protector.  
Capacitor inside the terminal box.

Insulation class F.

Protection IP X4.

**Classification scheme IE2 for three-phase motors from 0,75 kW.**

Constructed in accordance with: EN 60034-1; EN 60034-30.  
EN 60335-1, EN 60335-2-41.

**Special features on request**

- Other voltages.
- Frequency 60 Hz (as per 60 Hz data sheet).

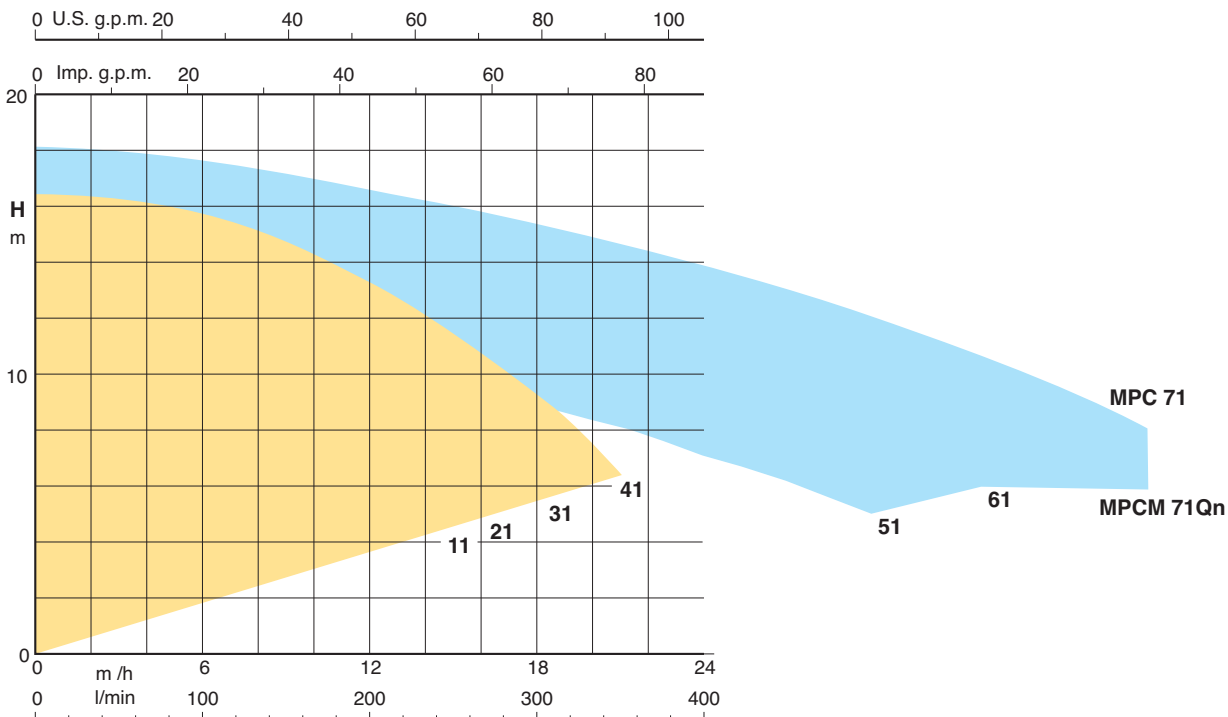
**Patents:** EP 0 460 597  
US 5 226 790

**Certification marks for MPCM, up to 1,5 kW:**

**Materiali**

Component	Material
Pump casing	Glass reinforced
Diffuser cover	thermoplastic
Impeller	PPO-GF30, NORYL
Strainer cover	Transparent polycarbonate, LEXAN
Strainer basket	Polypropylene
Diffuser funnel and wear-ring	Cr-Ni-Mo steel AISI 316
Mechanical seal	Ceramic alumina, Carbon, FPM

**Coverage chart n ≈ 2800 rpm**



### Performance $n \approx 2800$ rpm

	3~ 230 V 400 V		1~ 230 V P <sub>1</sub>		P <sub>2</sub>		Q m <sup>3</sup> /h l/min	0	3	6	9	12	15	18	21		
	A	A	A	kW	kW	HP											
<b>MPC 11</b>	2,8	1,6	<b>MPCM 11</b>	3,3	0,73	0,37	0,5	11,9	11,4	10,3	8,9	6,8	4,2				
<b>MPC 21/A</b>	3	1,7	<b>MPCM 21/A</b>	4,5	1	0,55	0,75	13,4	13,3	12,4	10,9	9	6,3				
<b>MPC 31/A</b>	3,7	2,2	<b>MPCM 31/A</b>	5,4	1,2	0,75	1	15,6	15,5	14,5	13	11,2	9,1	6,2			
<b>MPC 41</b>	4,7	2,7	<b>MPCM 41</b>	7	1,6	1,1	1,5	16,4	16,2	15,8	14,7	13,3	11,4	9,3	6,4		

	3~ 230 V 400 V		1~ 230 V P <sub>1</sub>		P <sub>2</sub>		Q m <sup>3</sup> /h l/min	0	3	9	15	18	21	24	27	30	34	40
	A	A	A	kW	kW	HP												
<b>MPC 51</b>	4,7	2,7	<b>MPCM 51</b>	7	1,6	1,1	1,5	11,5	11	10,5	9,5	9	8	7	6	5		
<b>MPC 61</b>	6,2	3,6	<b>MPCM 61</b>	9,2	2	1,5	2	14	13,5	12,5	11,5	11	10,5	9,5	8,5	7,5	6	
			<b>MPCM 71/A</b>	11,2	2,5	1,8	2,5	16,4	15,9	14,9	14	13,4	12,7	12,1	11,3	10,2	8,5	5,8
<b>MPC 71/A</b>	9,15	5,3				2,2	3	18,2	18	17	16	15,5	14,5	14	13	12	10,5	8

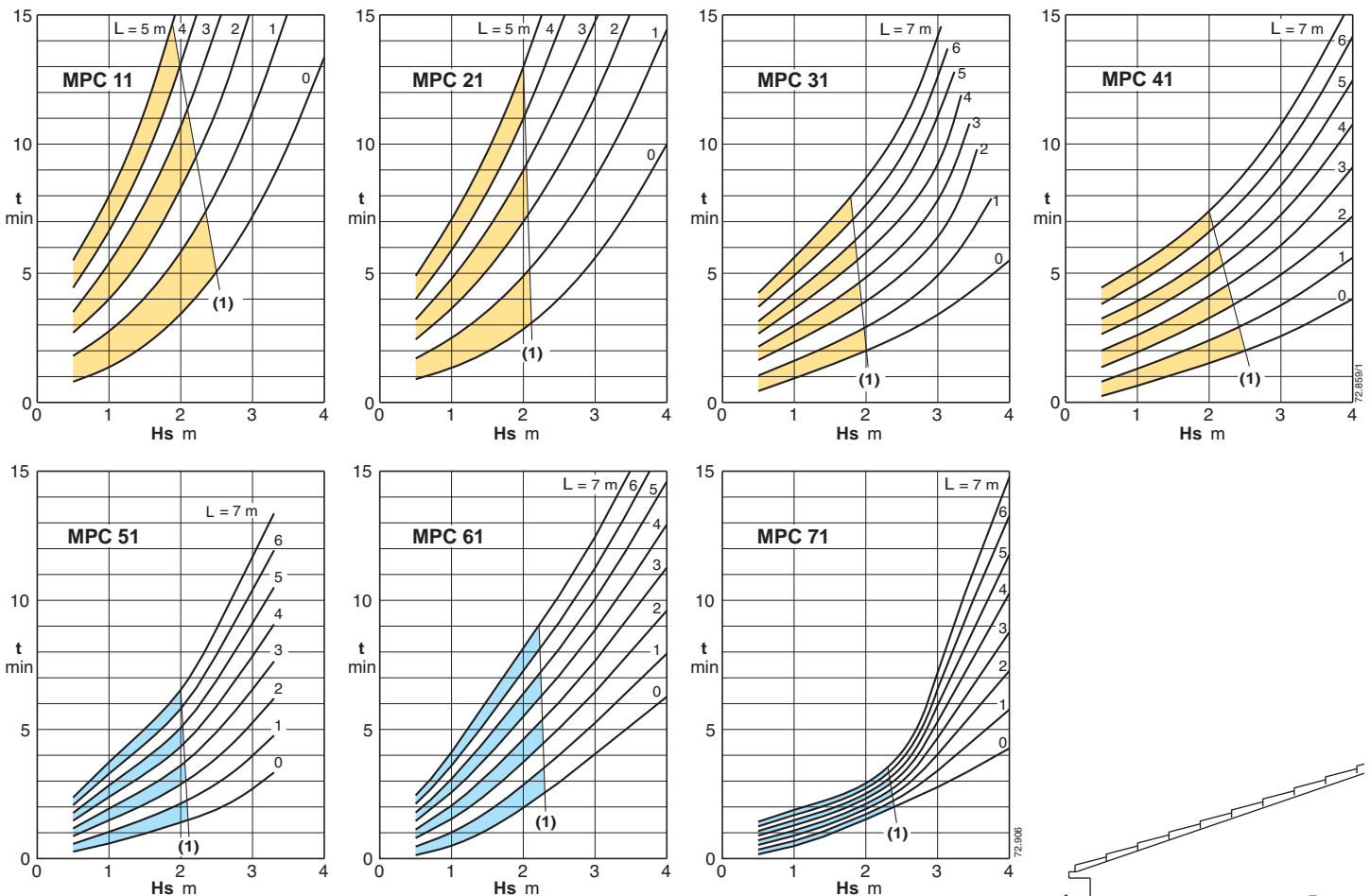
P<sub>1</sub> Max. power input.

P<sub>2</sub> Rated motor power output.

H Total head in m.

Tolerances according to ISO 9906, annex A.

### Self-Priming Capability with the pump located above the water level

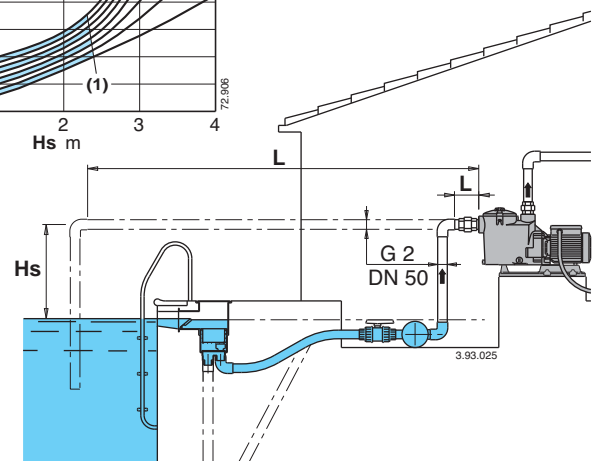


(1) Application limit for automatic self-repriming at each start-up, without check valve.

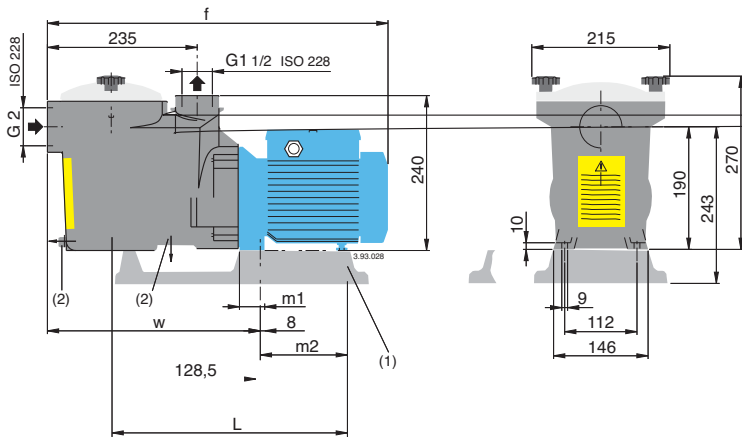
L (m) Horizontal length of suction pipe above the water level.

H<sub>s</sub> (m) Suction lift.

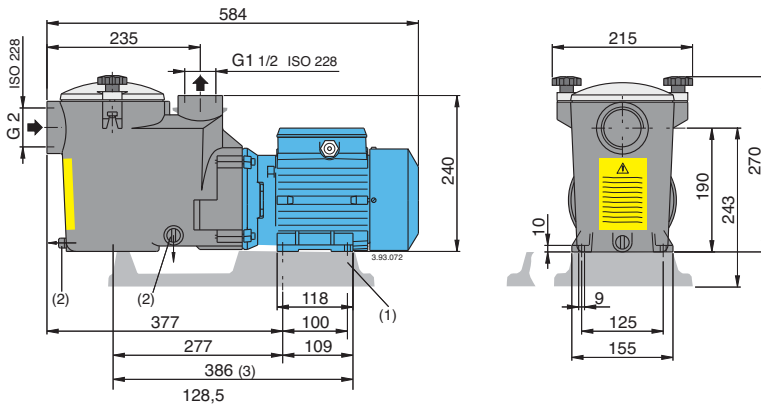
t (min) Self-priming time.



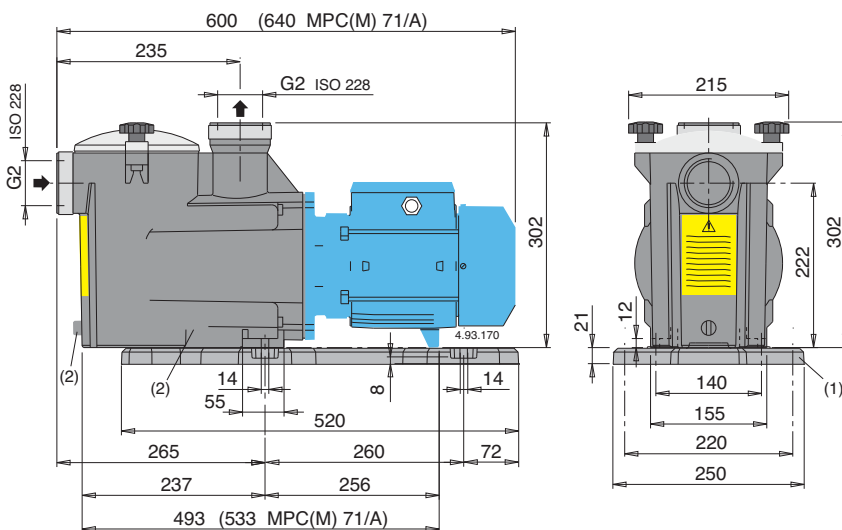
### Dimensions and weights



TYPE	mm					kg	
	f	L	m1	m2	w	MPC	MPCM
MPC 11 - MPCM 11	504	354	34	122	332	8,9	9
MPC 21/A - MPCM 21/A	536	373	39	136	337	10,2	11,3
MPC 31/A - MPCM 31/A	536	373	39	136	337	11,2	12,2



**MPCM 41** 17,5 kg  
**MPC 41** 16,0 kg



**MPCM 51** 18,9 kg  
**MPC 51** 17,4 kg  
**MPCM 61** 20,7 kg  
**MPC 61** 19,6 kg  
**MPCM 71/A** 23,8 kg  
**MPC 71/A** 22,5 kg

(1) Base-plate kit

(2) Draining

**Features**

